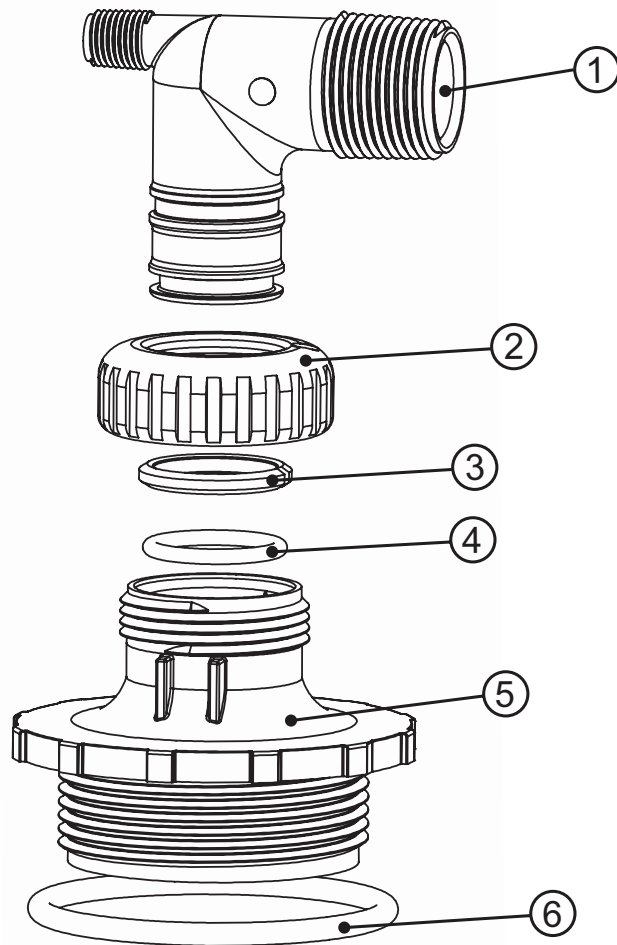


Order No. D1287

Description: **Fitting 2-1/2" - 8 with 1" PVC Male NPT Elbow Assembly**

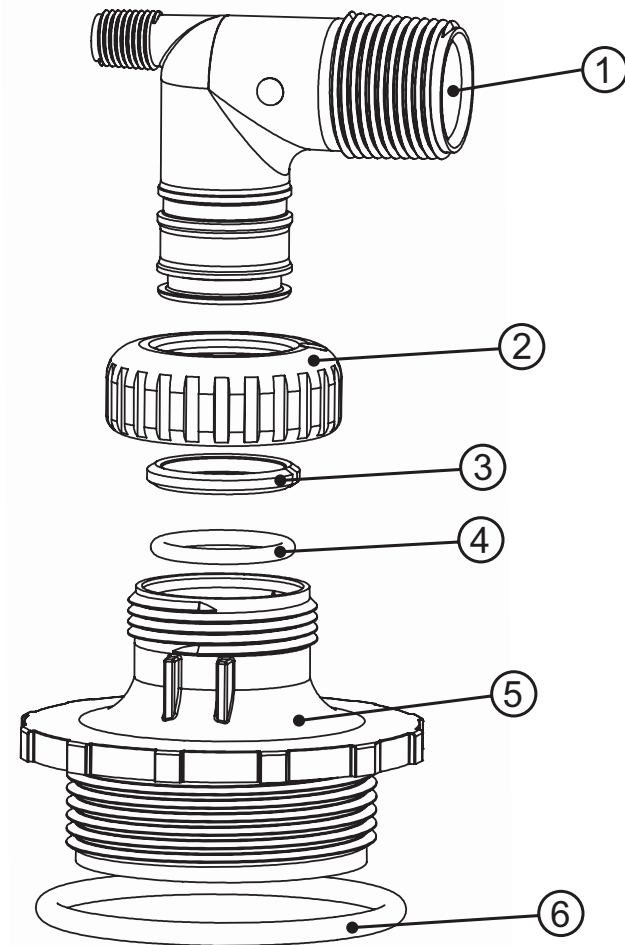
Drawing No.	Order No.	Description	Quantity
1	V3149	WS1 Fitting 1" PVC Male NPT Elbow	1
2	V3151	WS1 Nut 1" Quick Connect	1
3	V3150	WS1 Split Ring	1
4	V3105	O-ring 215	1
5	D1285	Fitting 2-1/2" - 8	1
6	V3180	O-ring 337	1



Order No. D1287

Description: **Fitting 2-1/2" - 8 with 1" PVC Male NPT Elbow Assembly**

Drawing No.	Order No.	Description	Quantity
1	V3149	WS1 Fitting 1" PVC Male NPT Elbow	1
2	V3151	WS1 Nut 1" Quick Connect	1
3	V3150	WS1 Split Ring	1
4	V3105	O-ring 215	1
5	D1285	Fitting 2-1/2" - 8	1
6	V3180	O-ring 337	1



Order No. **D1287**

Description: **Fitting 2-½” - 8 with 1” PVC Male NPT Elbow Assembly**

HYDROCARBONS SUCH AS VASELINE®, PETROLEUM JELLY, KEROSENE, BENZENE, GASOLINE, ETC., WILL DAMAGE PRODUCTS THAT CONTAIN O-RINGS OR PLASTIC COMPONENTS. EXPOSURE TO SUCH HYDROCARBONS MAY CAUSE THE PRODUCTS TO LEAK. DO NOT USE CLACK CONTROL VALVE PRODUCT(S) ON WATER SUPPLIES THAT CONTAIN HYDROCARBONS SUCH AS KEROSENE, BENZENE, GASOLINE, ETC.

### **Fitting Installation Instructions:**

- Installation Fittings are designed to accommodate minor plumbing misalignments, but are not designed to support the weight of a system or the plumbing.
- Teflon tape must be used on the 1” NPT elbow and the ¼” NPT connection (when used).
- Slide nut on first, then the split ring and o-ring.
- Hand tighten the nut only.

Order No. **D1287**

Description: **Fitting 2-½” - 8 with 1” PVC Male NPT Elbow Assembly**

HYDROCARBONS SUCH AS VASELINE®, PETROLEUM JELLY, KEROSENE, BENZENE, GASOLINE, ETC., WILL DAMAGE PRODUCTS THAT CONTAIN O-RINGS OR PLASTIC COMPONENTS. EXPOSURE TO SUCH HYDROCARBONS MAY CAUSE THE PRODUCTS TO LEAK. DO NOT USE CLACK CONTROL VALVE PRODUCT(S) ON WATER SUPPLIES THAT CONTAIN HYDROCARBONS SUCH AS KEROSENE, BENZENE, GASOLINE, ETC.

### **Fitting Installation Instructions:**

- Installation Fittings are designed to accommodate minor plumbing misalignments, but are not designed to support the weight of a system or the plumbing.
- Teflon tape must be used on the 1” NPT elbow and the ¼” NPT connection (when used).
- Slide nut on first, then the split ring and o-ring.
- Hand tighten the nut only.